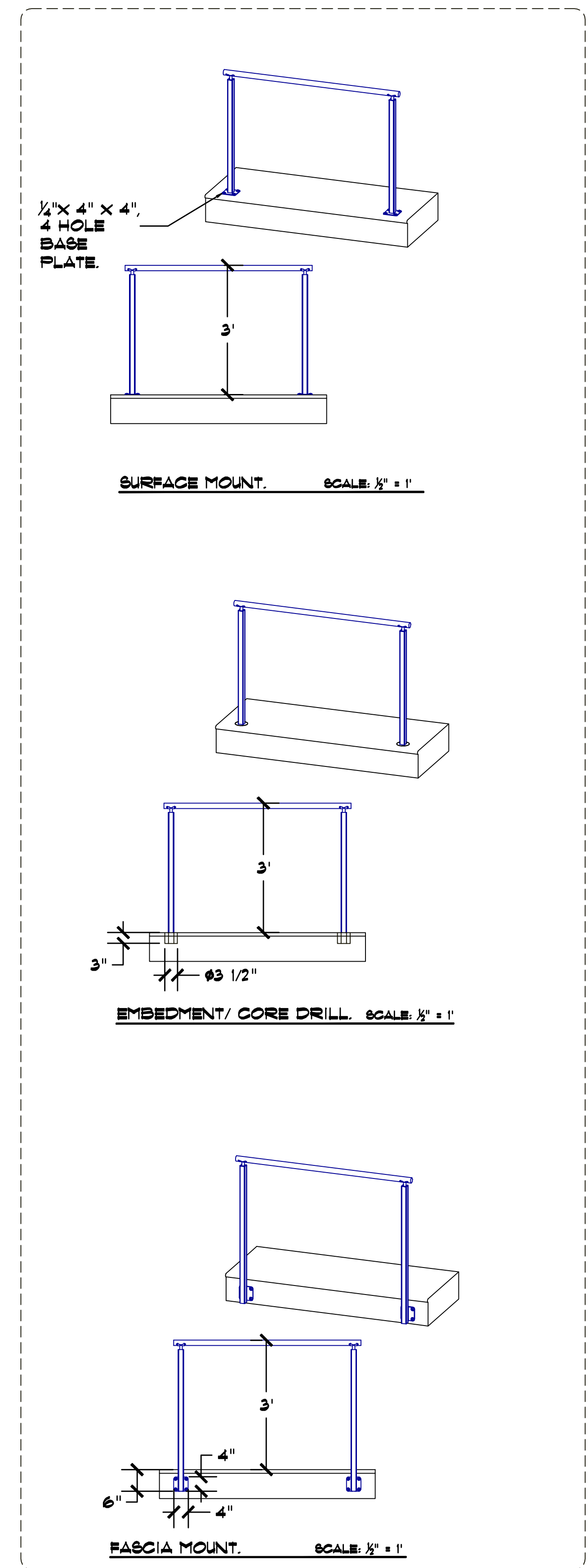
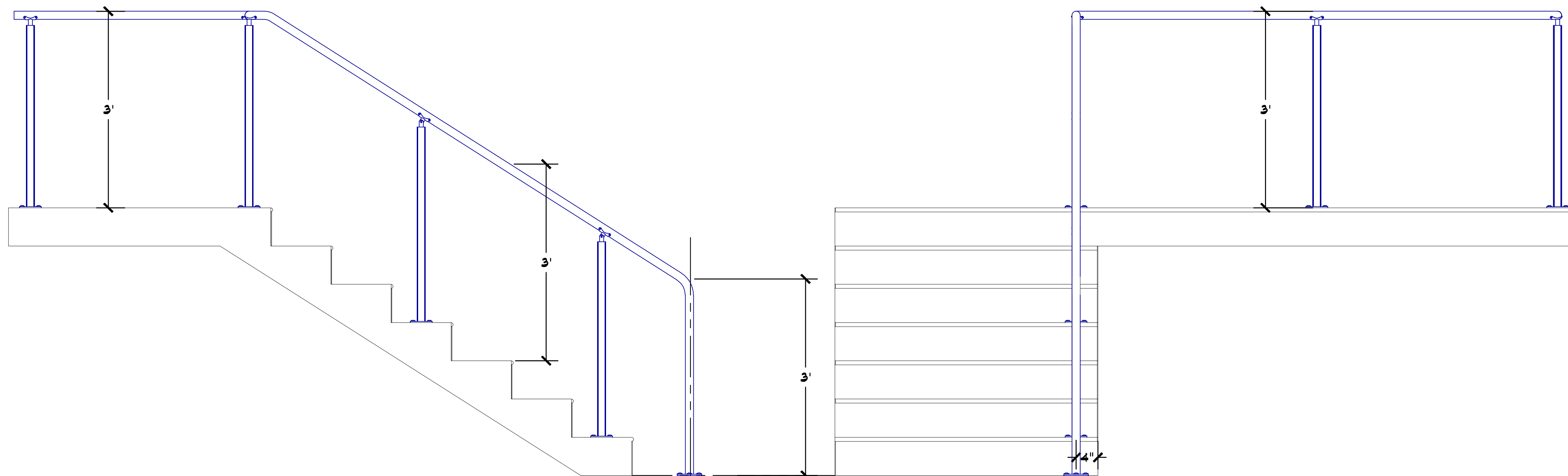
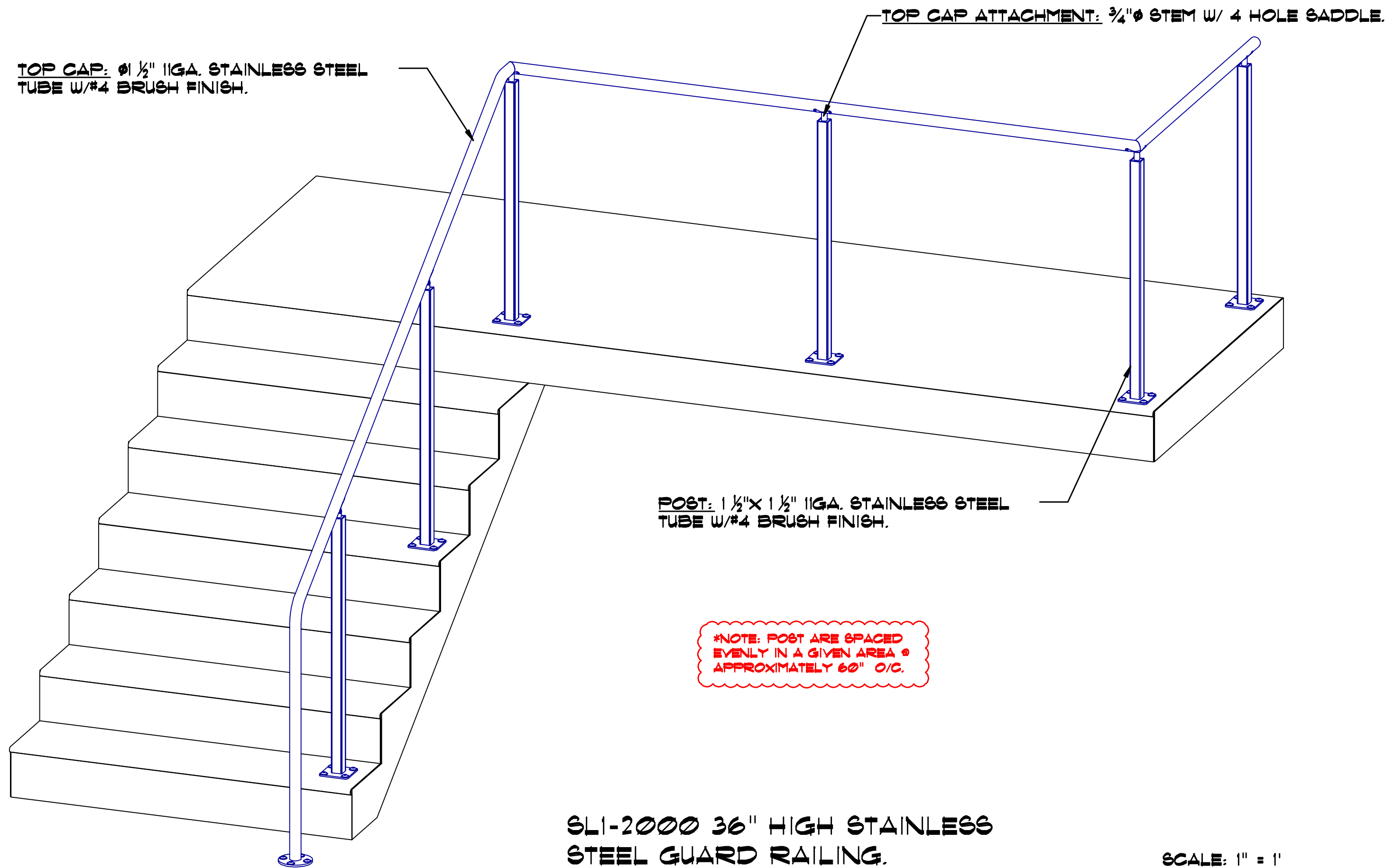


NOTE:
 T-304 STAINLESS STEEL: FOR INTERIOR APPLICATIONS AND NON CORROSIVE ENVIRONMENTS IS RECOMMENDED.
 T-316 STAINLESS STEEL: FOR EXTERIOR APPLICATIONS WITHIN 15 MILES OF THE COAST OR IN A CORROSIVE ENVIRONMENT IS RECOMMENDED.



PRODUCT: SLI-2000 STAINLESS STEEL GUARD RAILING SYSTEM.
 CONTENT: STANDARD SYSTEM DETAILS.
 DRAWN BY: KELLER, C.
 DATE: 01-21-2015

2111 34TH WAY
 LARGO, FL 33111
 PH: 727-536-1224
 FAX: 727-538-6314
 SALES@SECOOUTH.COM

PROPRIETARY AND CONFIDENTIAL
 THE INFORMATION CONTAINED IN THIS DRAWING IS THE SOLE PROPERTY OF SECO SOUTH INC. ANY REPRODUCTION IN PART OR AS A WHOLE WITHOUT THE WRITTEN PERMISSION OF SECO SOUTH INC. IS PROHIBITED.