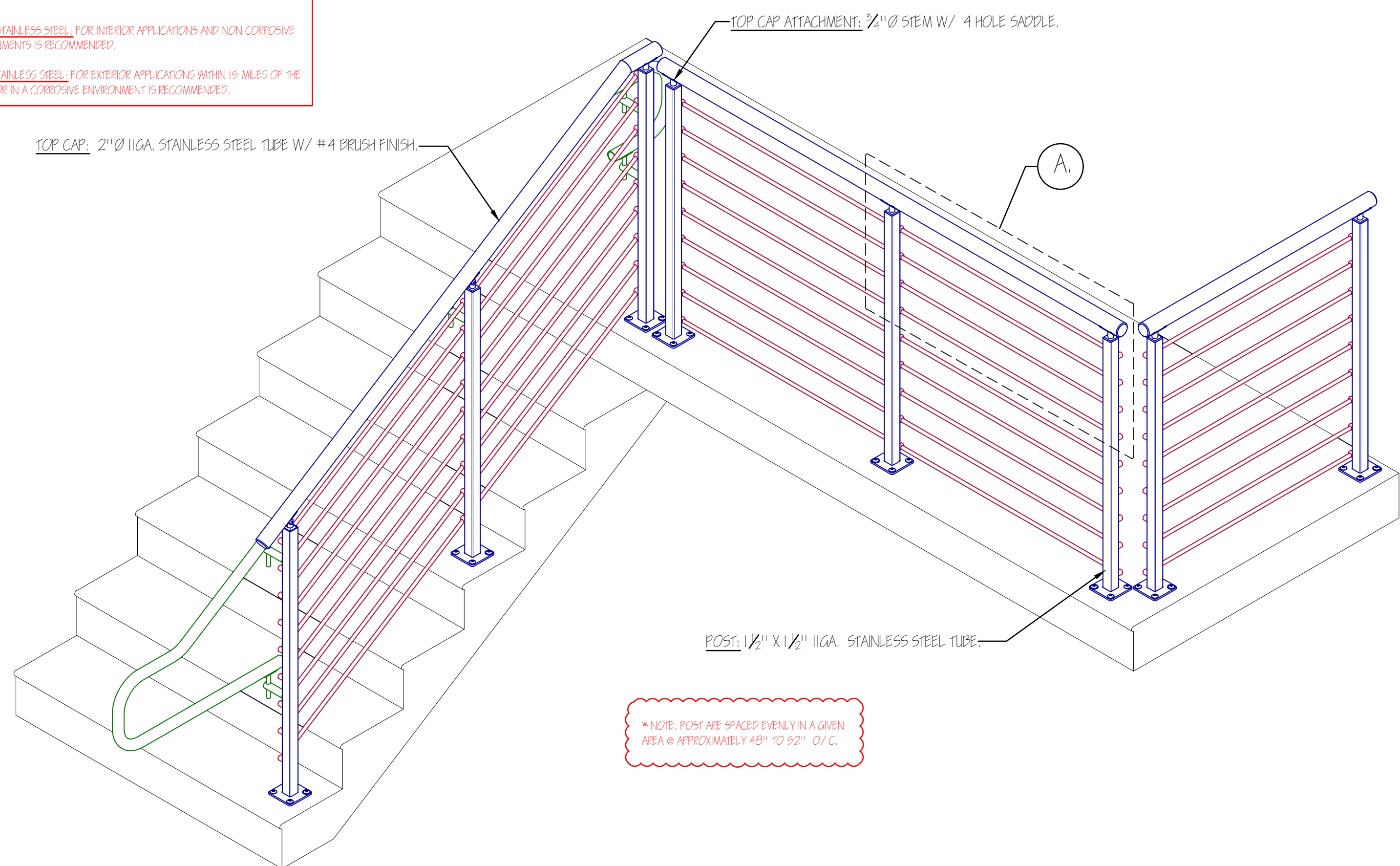
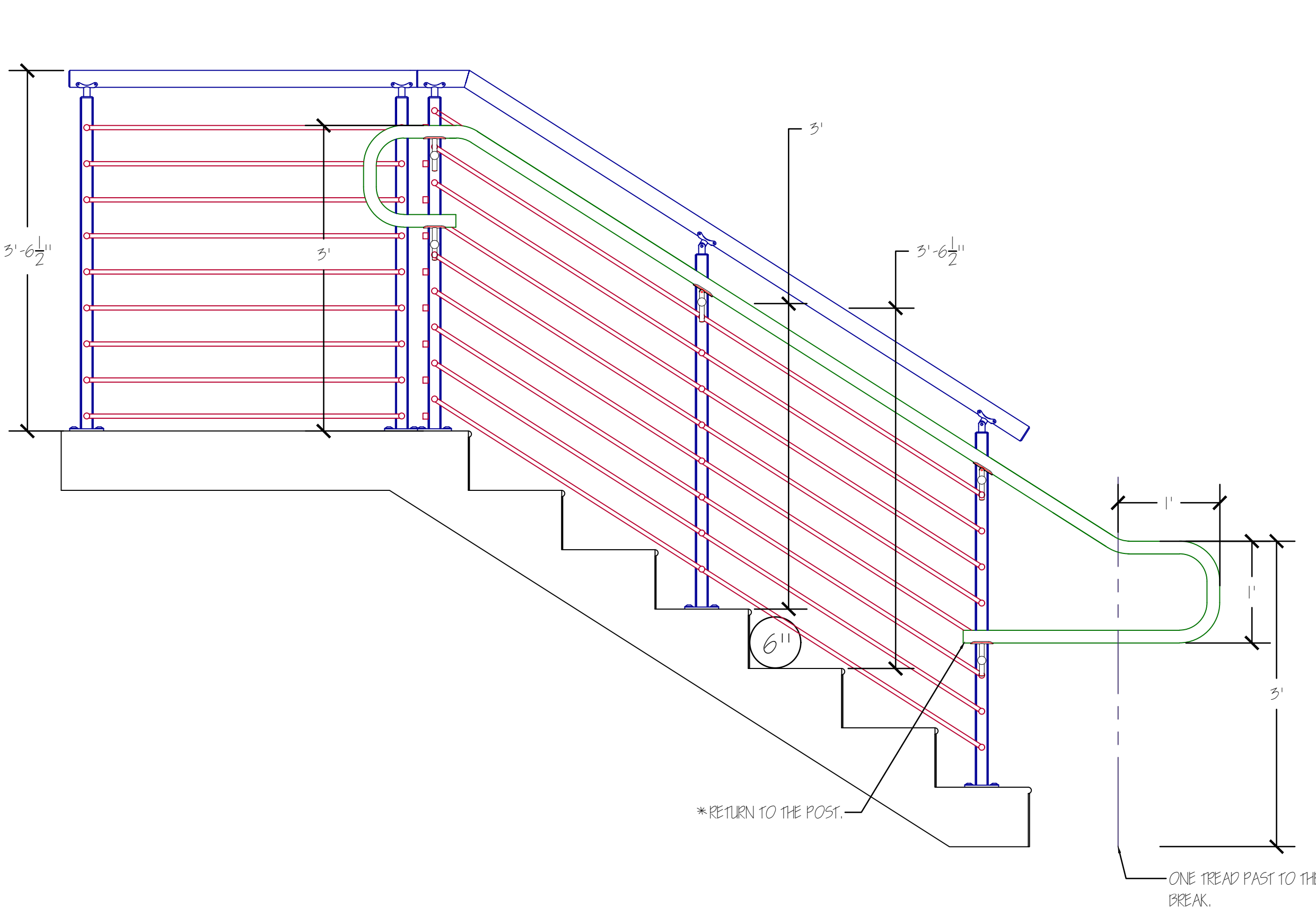
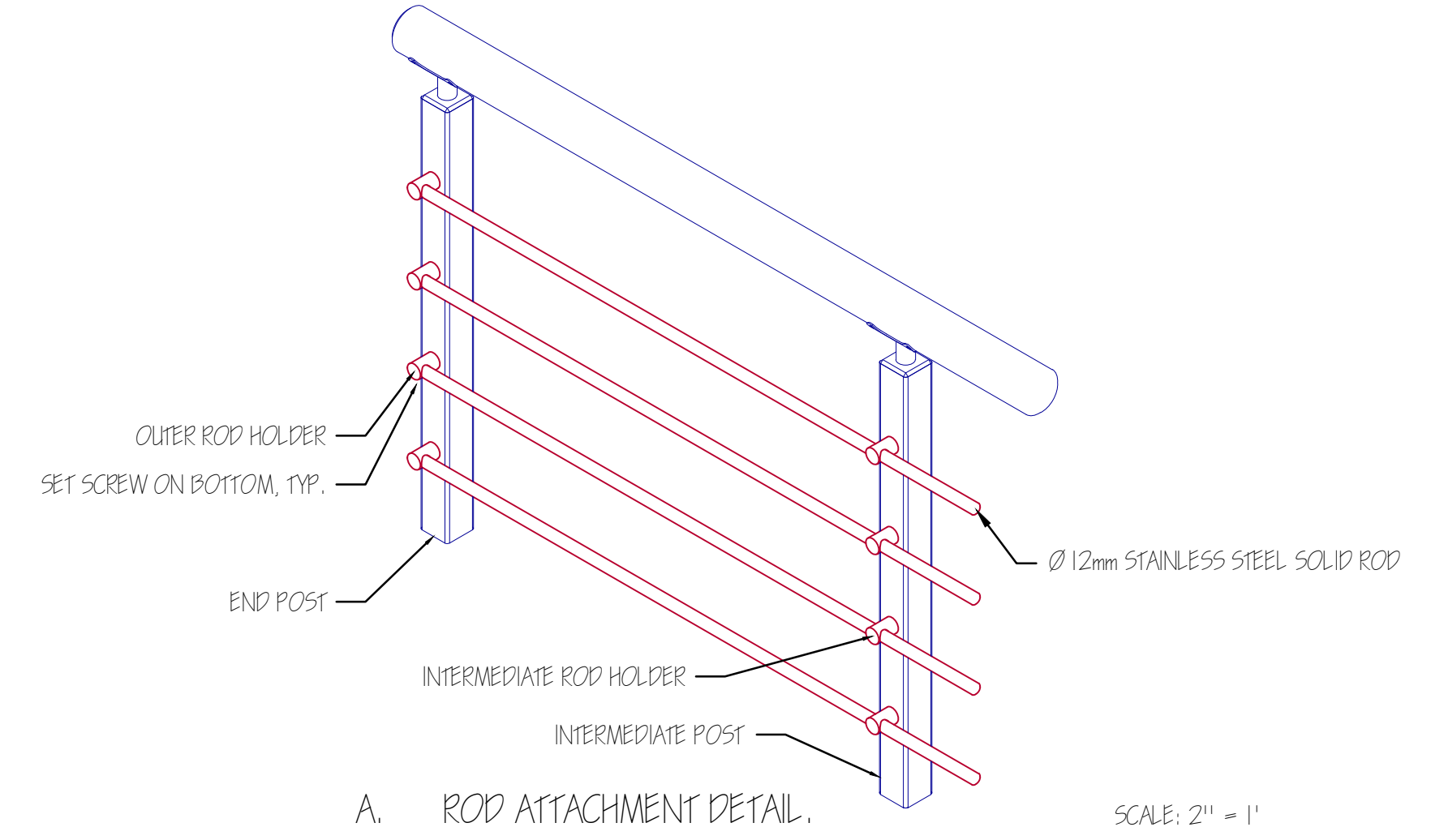
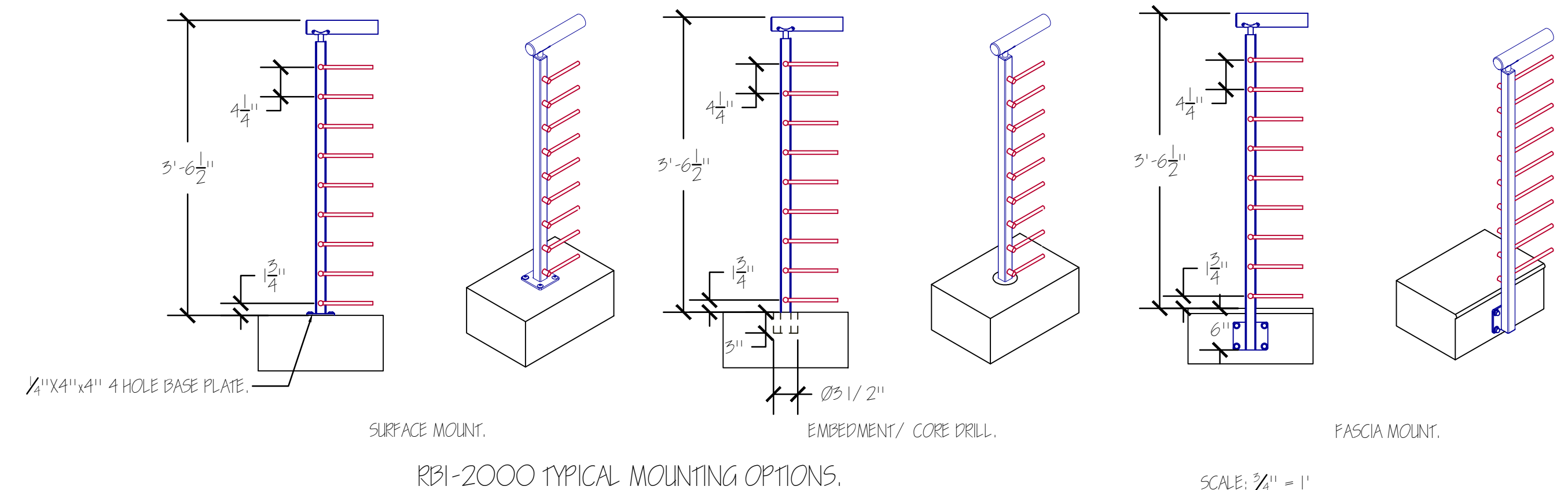


NOTE:  
 1-304 STAINLESS STEEL FOR INTERIOR APPLICATIONS AND NON CORROSIVE ENVIRONMENTS IS RECOMMENDED.  
 1-316 STAINLESS STEEL FOR EXTERIOR APPLICATIONS WITHIN 15 MILES OF THE COAST OR IN A CORROSIVE ENVIRONMENT IS RECOMMENDED.

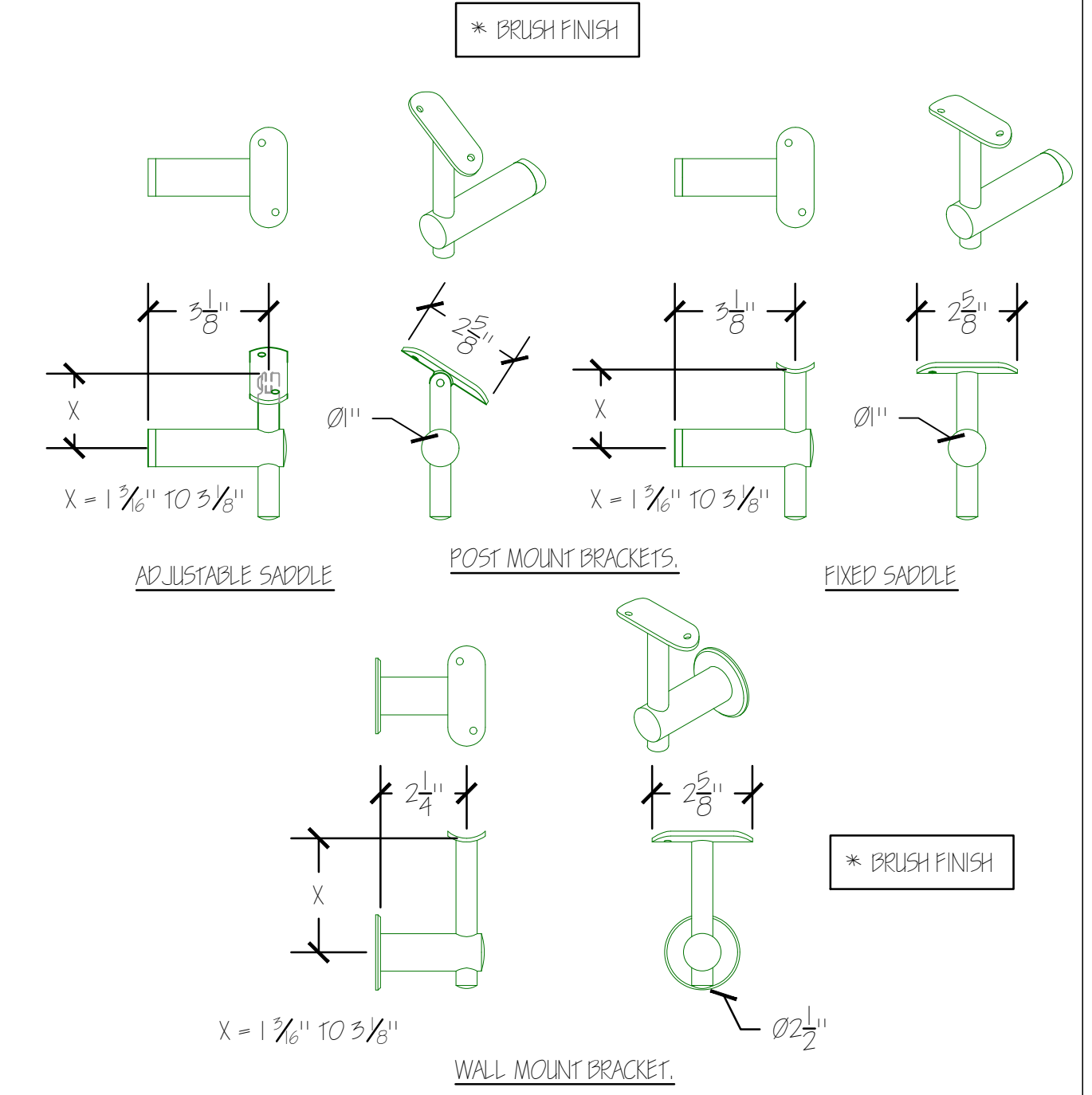
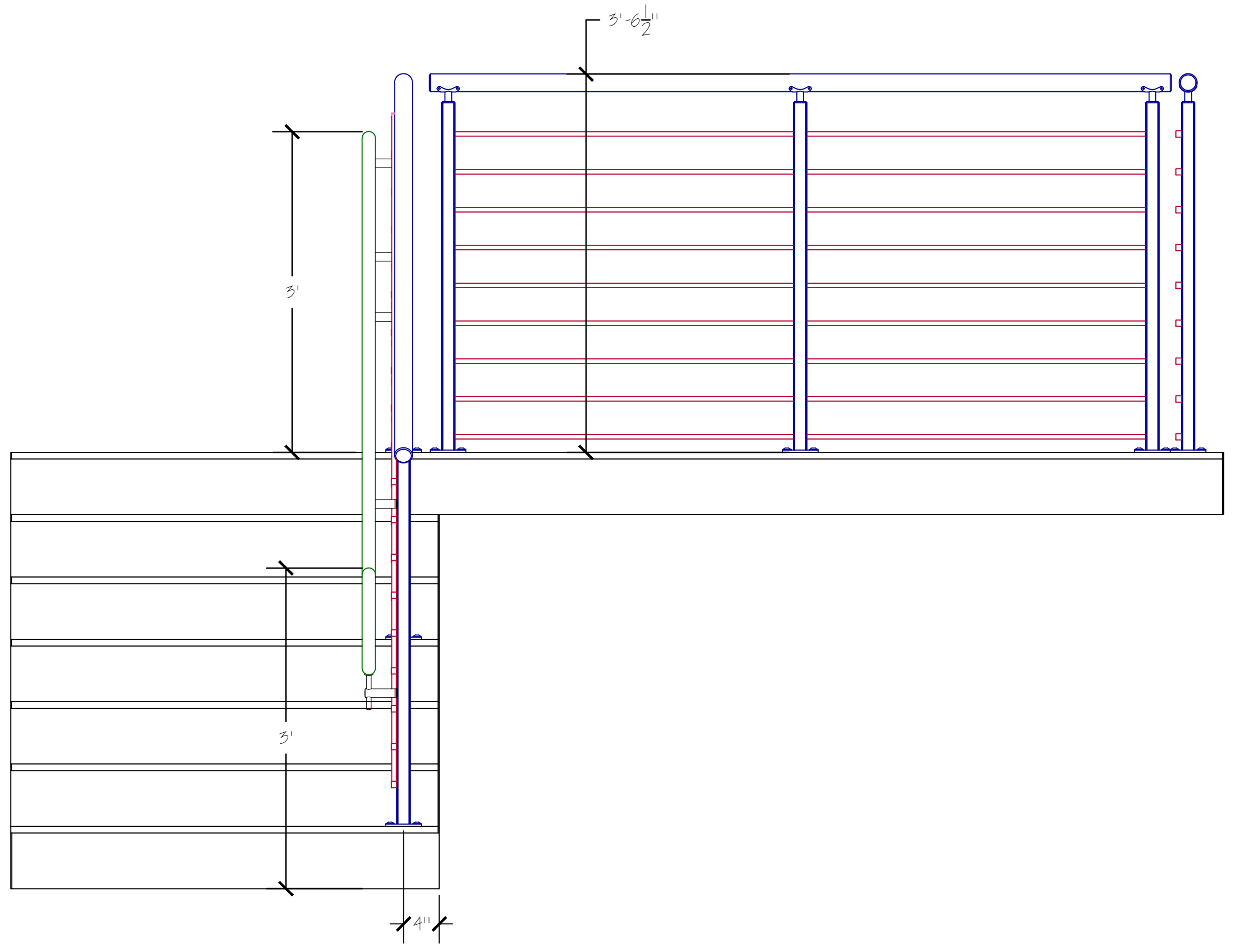


\*NOTE: POSTS ARE SPACED EVENLY IN A GIVEN AREA @ APPROXIMATELY 48" TO 52" O/C.

RBI-2000 42" HIGH STAINLESS STEEL ROD GUARD RAILING. SCALE: 1" = 1'



RBI-2000 42" GUARD RAILING. SCALE: 1" = 1'



GRAB RAIL BRACKET DETAIL. SCALE: 3" = 1'

PRODUCT:  
 RBI-2000 STAINLESS STEEL ROD RAILING SYSTEM.

CONTENT:  
 STANDARD SYSTEM DETAILS.

DRAWN BY: PRANZ, J.

DATE: 12-08-2018

TRUST NO ONE. THE INFORMATION CONTAINED IN THIS DRAWING IS THE SOLE PROPERTY OF SECO SOUTH INC. ANY REPRODUCTION IN PART OR AS A WHOLE WITHOUT THE WRITTEN PERMISSION OF SECO SOUTH INC. IS PROHIBITED.

2011 54TH WAY  
 LARGO FL 34771  
 PH: 727-558-1924  
 FAX: 727-559-6314  
 SALES@SECOSOUTH.COM

**Seco South**