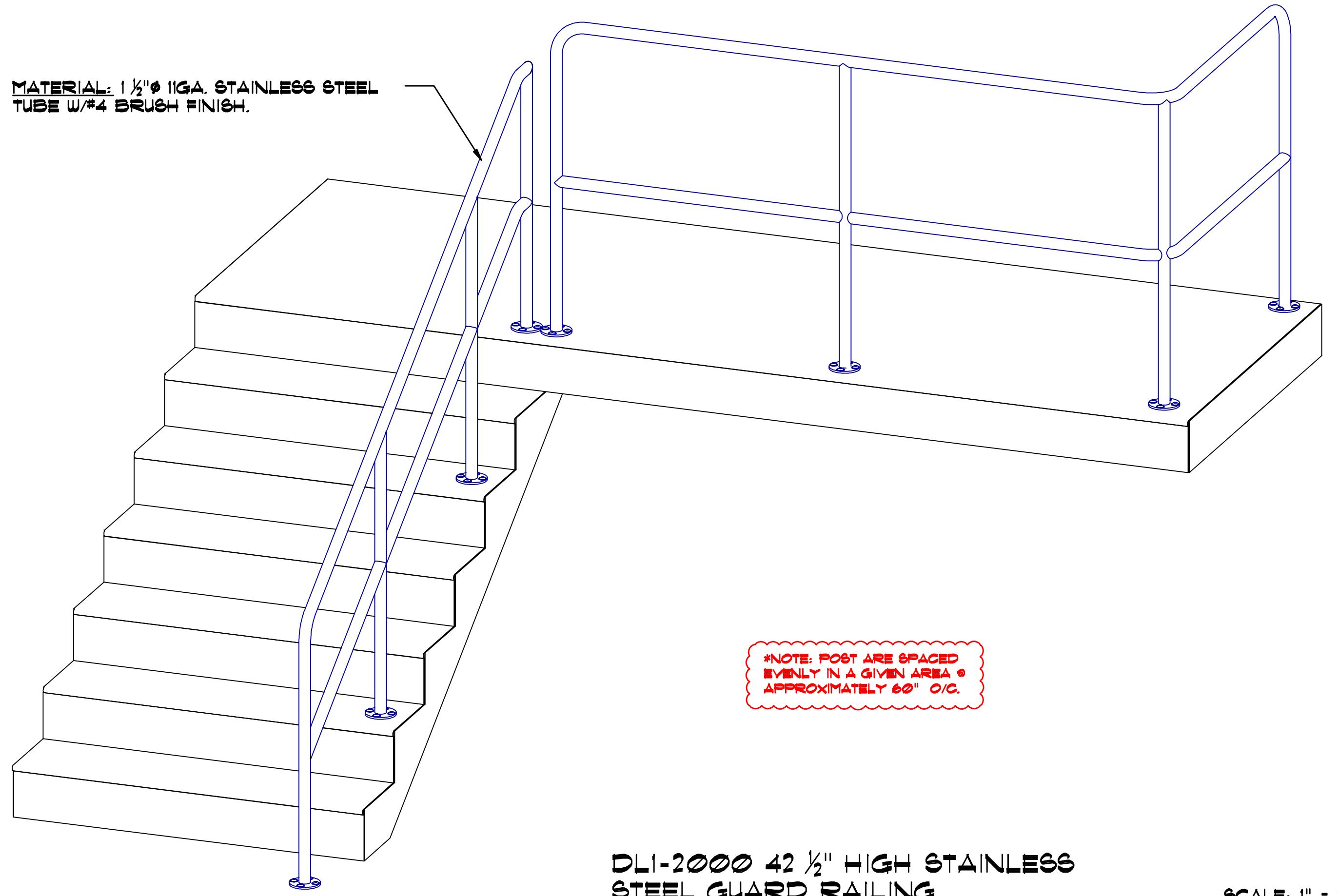


**NOTE:**  
 T-304 STAINLESS STEEL: FOR INTERIOR APPLICATIONS AND NON CORROSIVE ENVIRONMENTS IS RECOMMENDED.  
 T-316 STAINLESS STEEL: FOR EXTERIOR APPLICATIONS WITHIN 15 MILES OF THE COAST OR IN A CORROSIVE ENVIRONMENT IS RECOMMENDED.

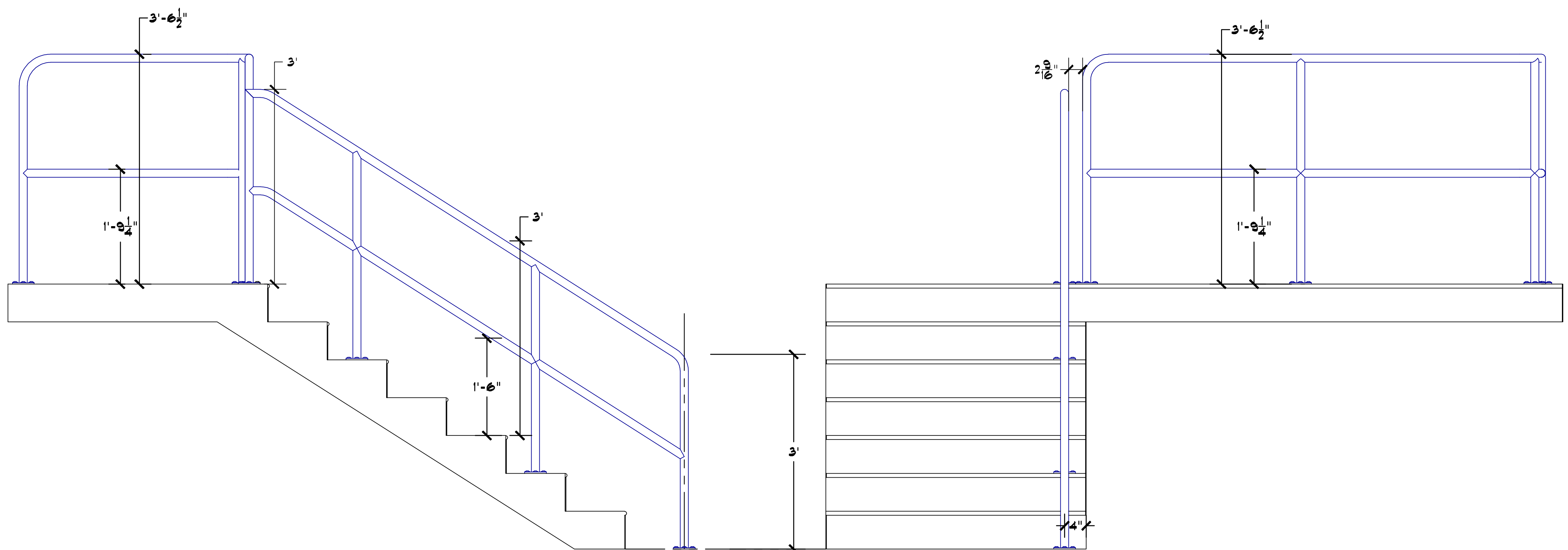
**MATERIAL:** 1 1/2" Ø 11GA. STAINLESS STEEL TUBE W/#4 BRUSH FINISH.



\*NOTE: POSTS ARE SPACED EVENLY IN A GIVEN AREA & APPROXIMATELY 60" O/C.

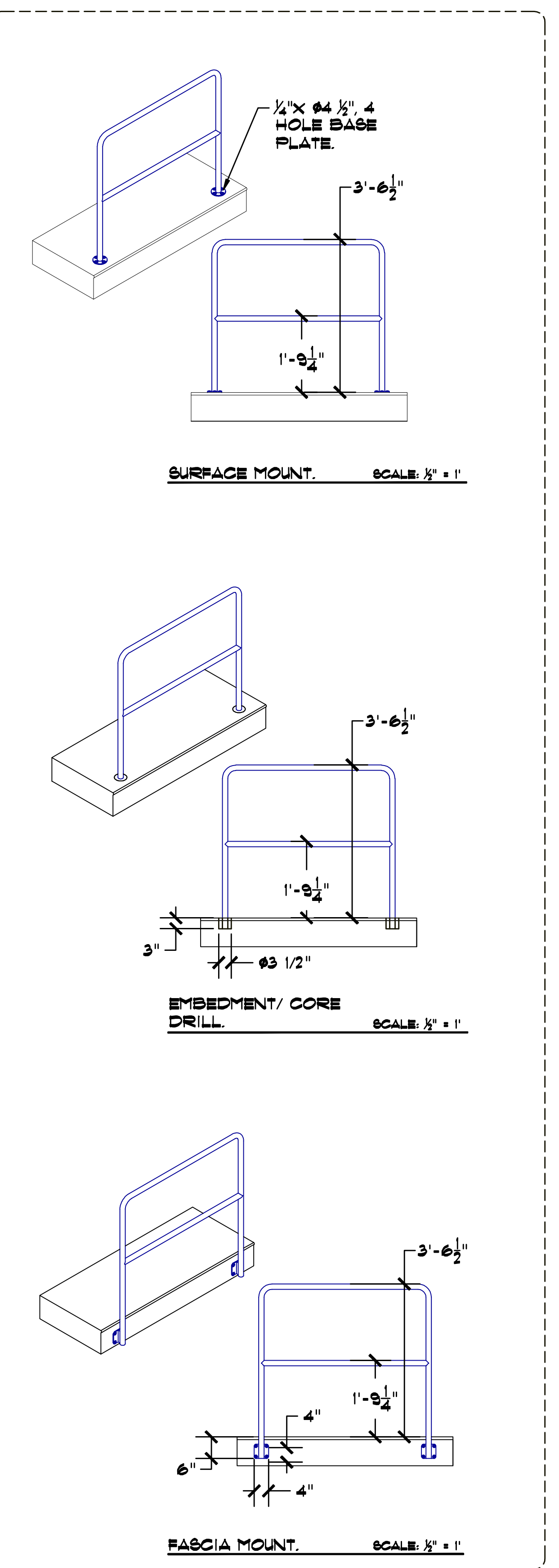
**DL1-2000 42 1/2" HIGH STAINLESS STEEL GUARD RAILING.**

SCALE: 1" = 1'



**DL1-2000 36" GUARD RAILING.**

SCALE: 1" = 1'



**SURFACE MOUNT.** SCALE: 1/2" = 1'

**EMBEDMENT/ CORE DRILL.** SCALE: 1/2" = 1'

**FASCIA MOUNT.** SCALE: 1/2" = 1'

PRODUCT: DL1-2000 STAINLESS STEEL GUARD RAILING SYSTEM.  
 CONTENT: STANDARD SYSTEM DETAILS.  
 DRAWN BY: KELLER, C.  
 DATE: 01-12-2015  
 PROPRIETARY AND CONFIDENTIAL  
 THE INFORMATION CONTAINED IN THIS DRAWING IS THE SOLE PROPERTY OF SECO SOUTH INC. ANY REPRODUCTION IN PART OR AS A WHOLE WITHOUT THE WRITTEN PERMISSION OF SECO SOUTH INC. IS PROHIBITED.  
 2111 34TH WAY  
 LARGO, FL 33111  
 PH: 121-536-1224  
 FAX: 121-538-6314  
 SALES@SECOOUTH.COM