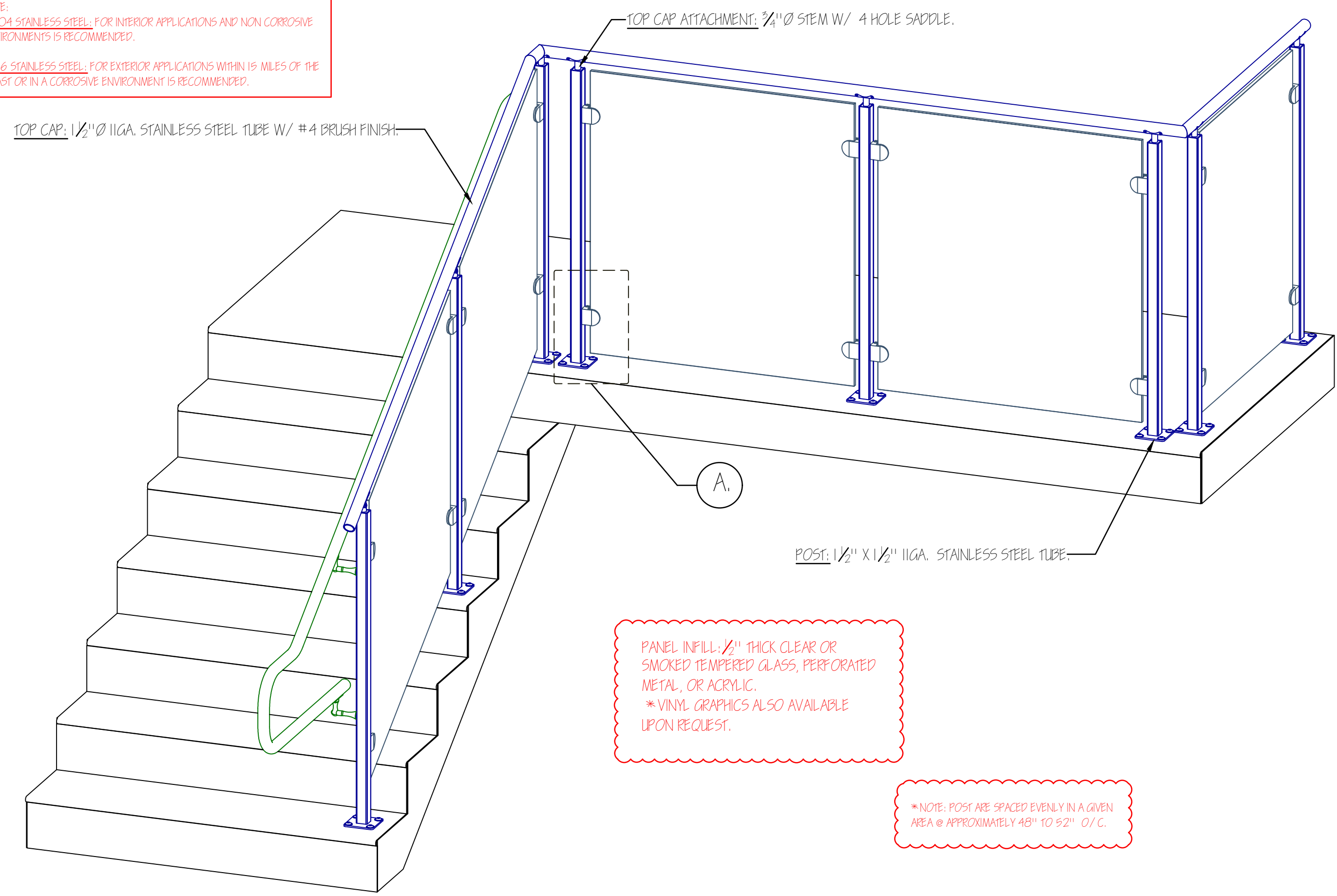


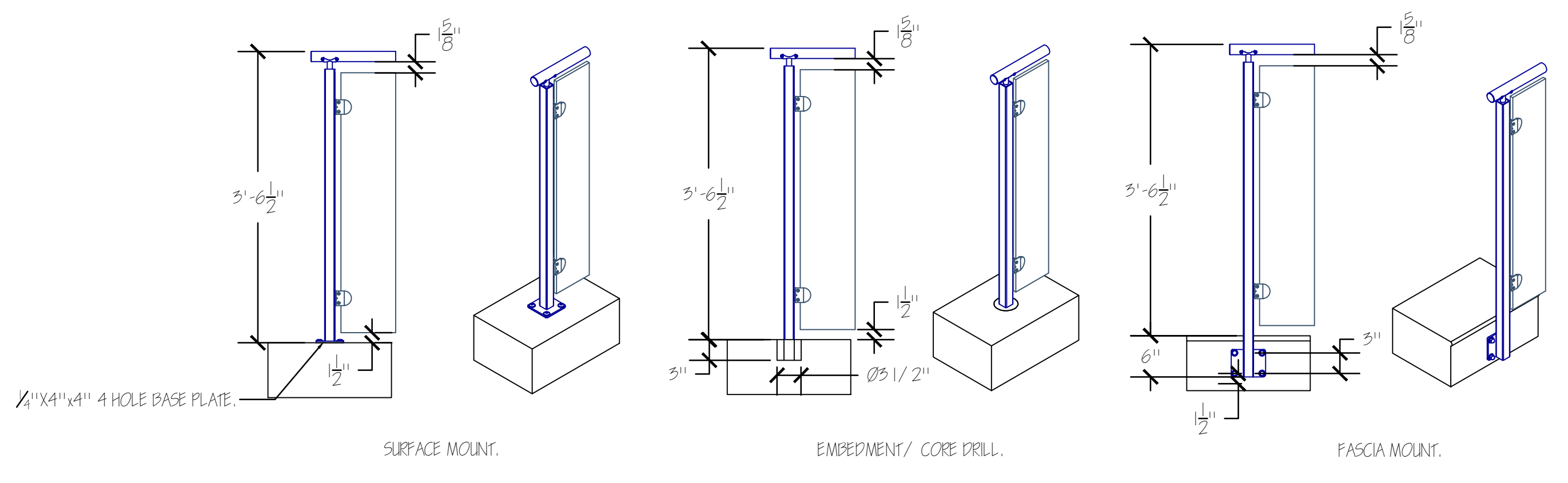
NOTE:  
 1-304 STAINLESS STEEL FOR INTERIOR APPLICATIONS AND NON CORROSIVE ENVIRONMENTS IS RECOMMENDED.  
 1-316 STAINLESS STEEL FOR EXTERIOR APPLICATIONS WITHIN 15 MILES OF THE COAST OR IN A CORROSIVE ENVIRONMENT IS RECOMMENDED.



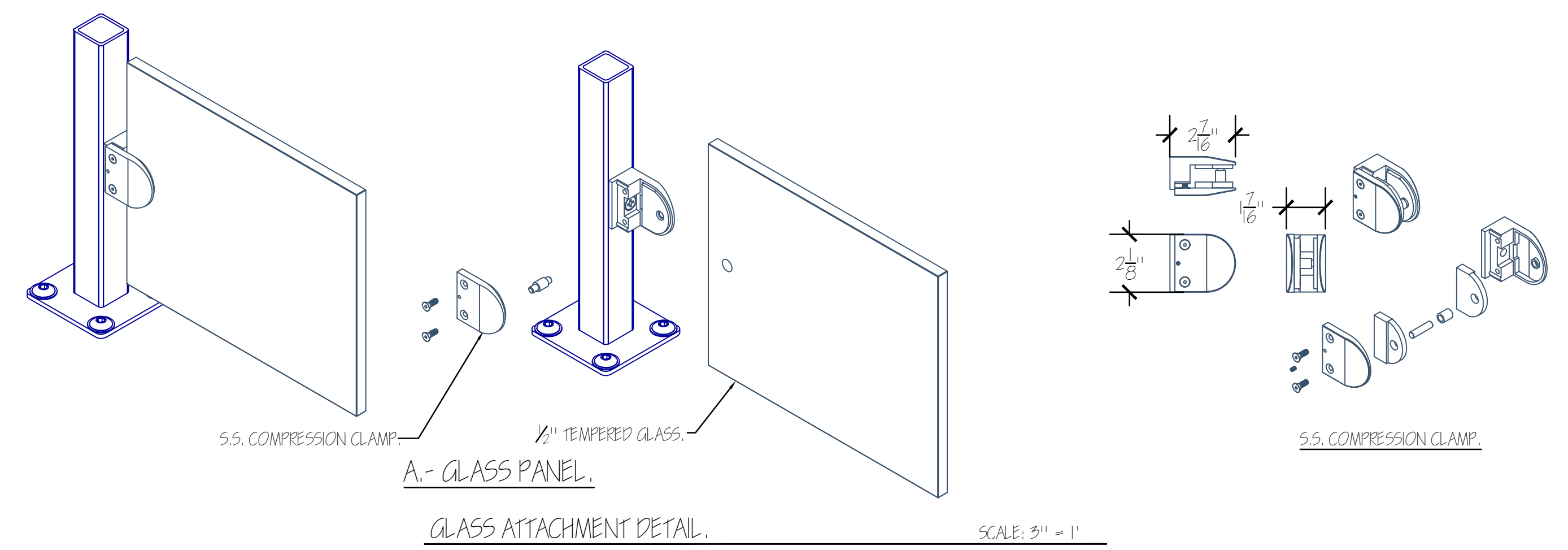
PANEL INFILL: 1/2" THICK CLEAR OR SMOKED TEMPERED GLASS, PERFORATED METAL, OR ACRYLIC.  
 \*VINYL GRAPHICS ALSO AVAILABLE UPON REQUEST.

\*NOTE: POSTS ARE SPACED EVENLY IN A GIVEN AREA @ APPROXIMATELY 48" TO 52" O/C.

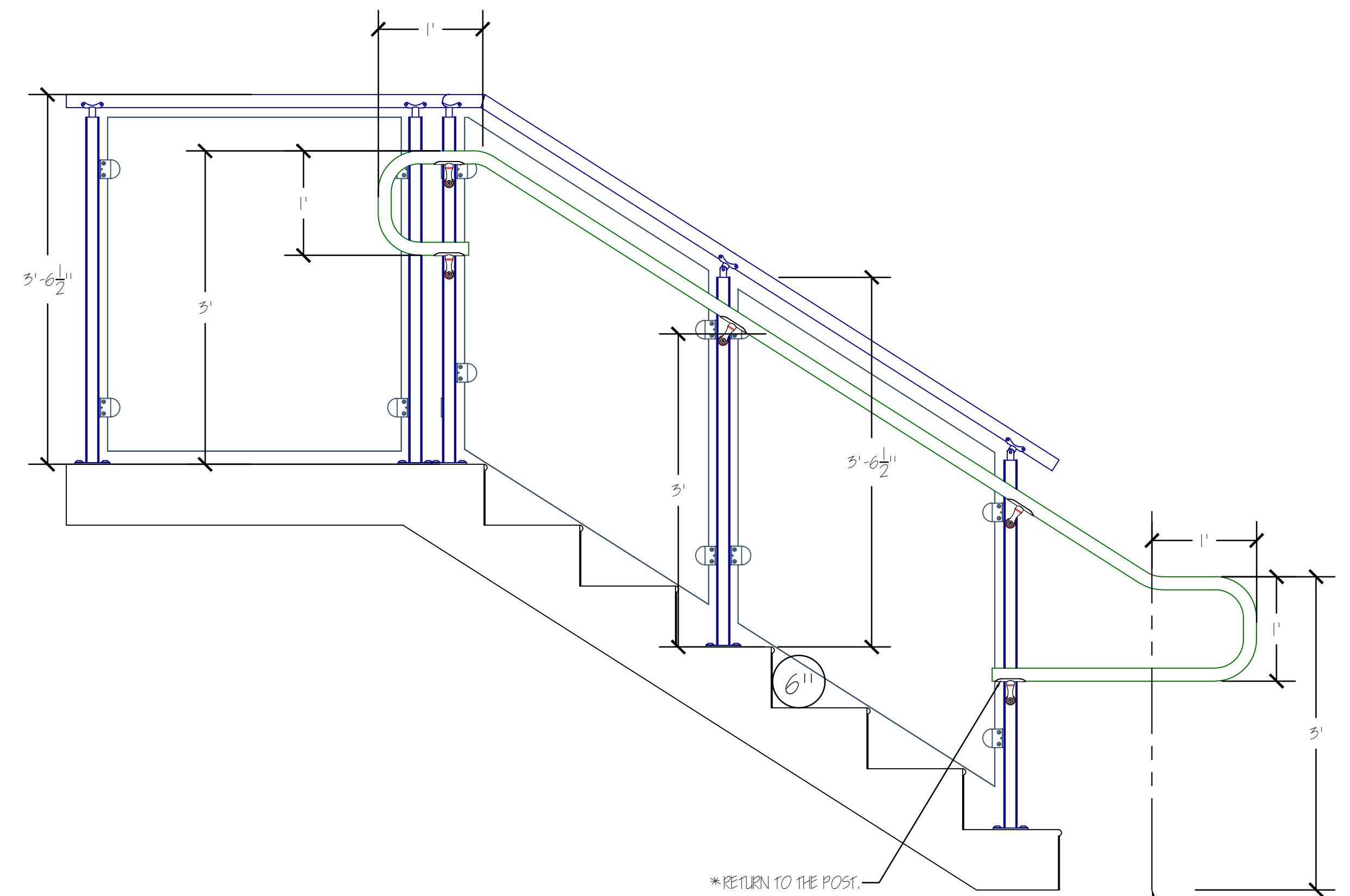
SPG2-2000 42" HIGH STAINLESS STEEL AND GLASS GUARD RAILING. SCALE: 1" = 1'



SPG2-2000 TYPICAL MOUNTING OPTIONS. SCALE: 3/4" = 1'

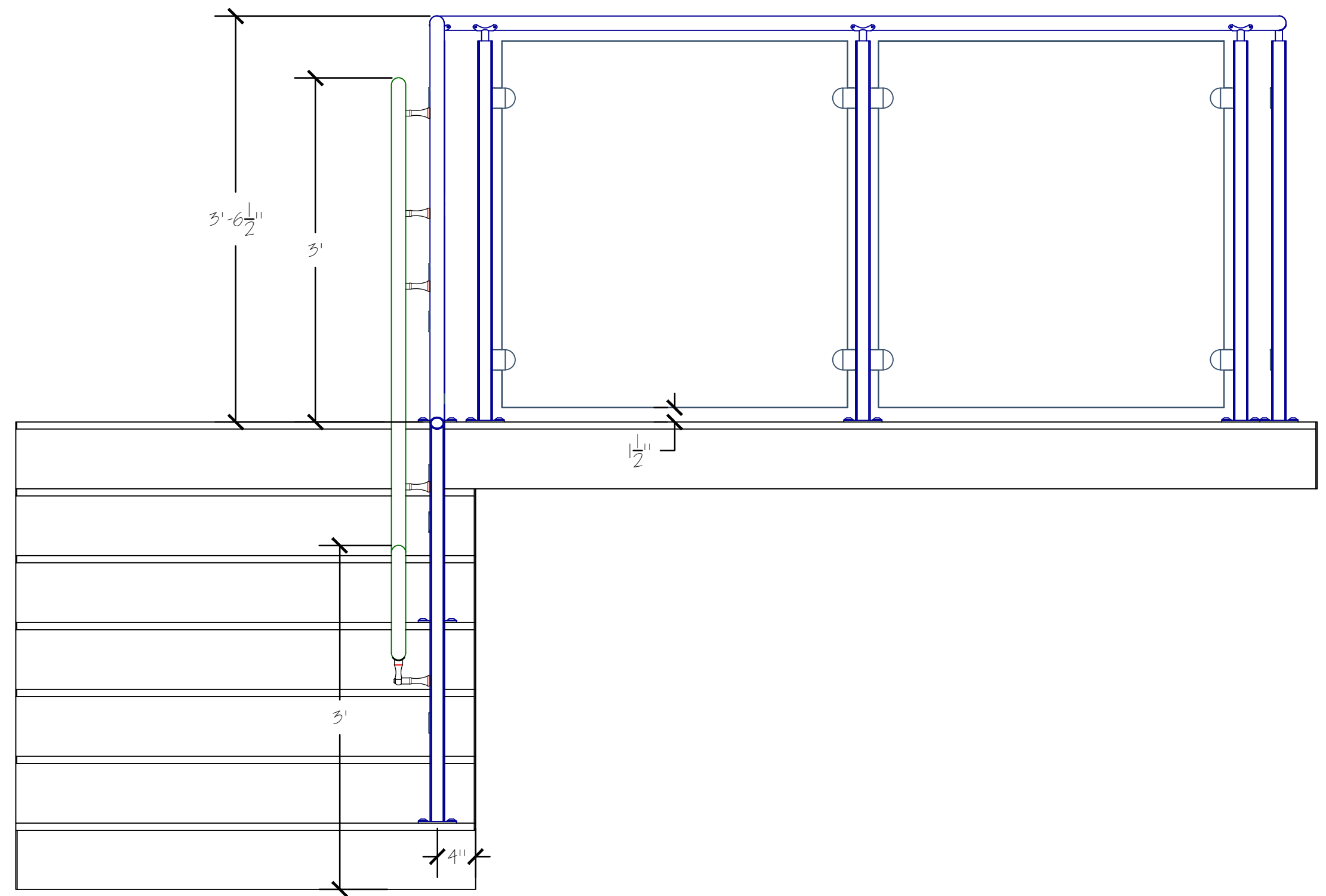


GLASS ATTACHMENT DETAIL. SCALE: 3" = 1'

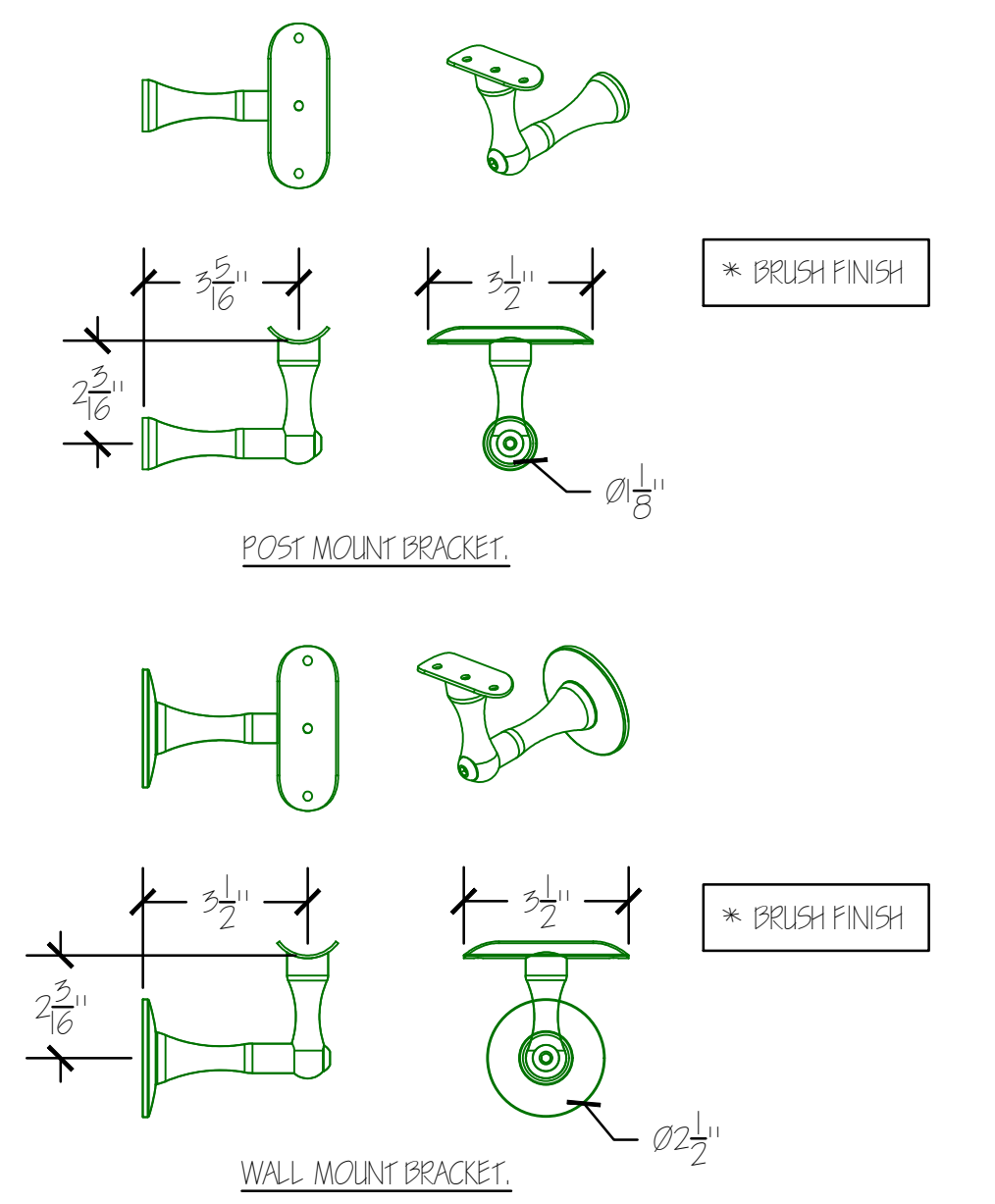


\*RETURN TO THE POST.

SPG2-2000 42" GUARD RAILING. SCALE: 1" = 1'



SCALE: 1" = 1'



GRAB RAIL BRACKET DETAIL. SCALE: 3" = 1'

PRODUCT:  
 SPG2-2000 STAINLESS STEEL AND GLASS RAILING SYSTEM.  
 CONTENT:  
 STANDARD SYSTEM DETAILS.  
 DRAWN BY: WINNI, T. / FRANZ, J.  
 DATE: 12-03-2018

THESE ARE UNCONTROLLED DOCUMENTS. THE INFORMATION CONTAINED IN THIS DRAWING IS THE SOLE PROPERTY OF SECO SOUTH INC. ANY REPRODUCTION IN PART OR AS A WHOLE WITHOUT THE WRITTEN PERMISSION OF SECO SOUTH INC. IS PROHIBITED.

2811 54TH WAY  
 LARGO, FL 34771  
 PH: 727-558-1924  
 FAX: 727-559-6314  
 SALES@SECOSSOUTH.COM

