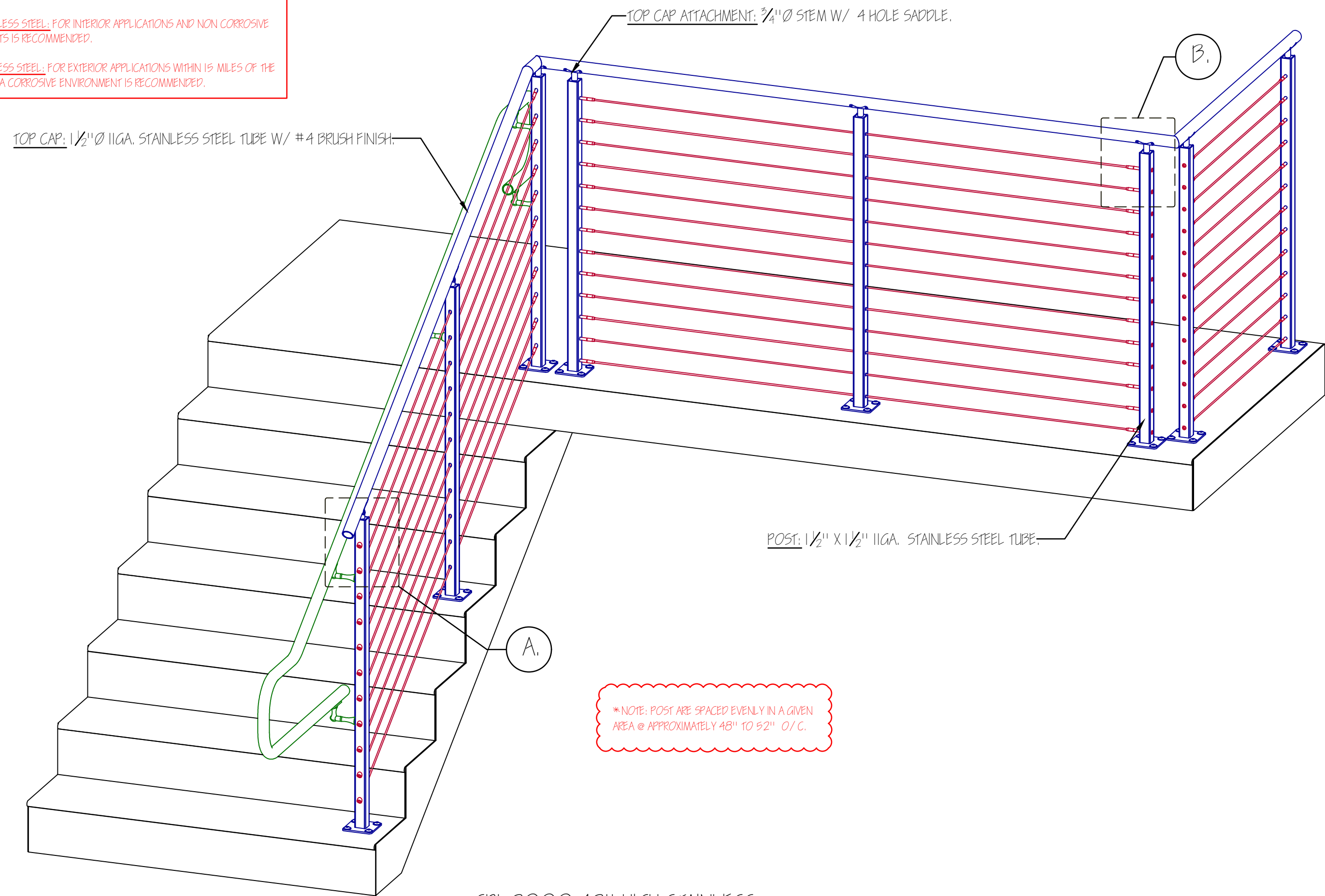
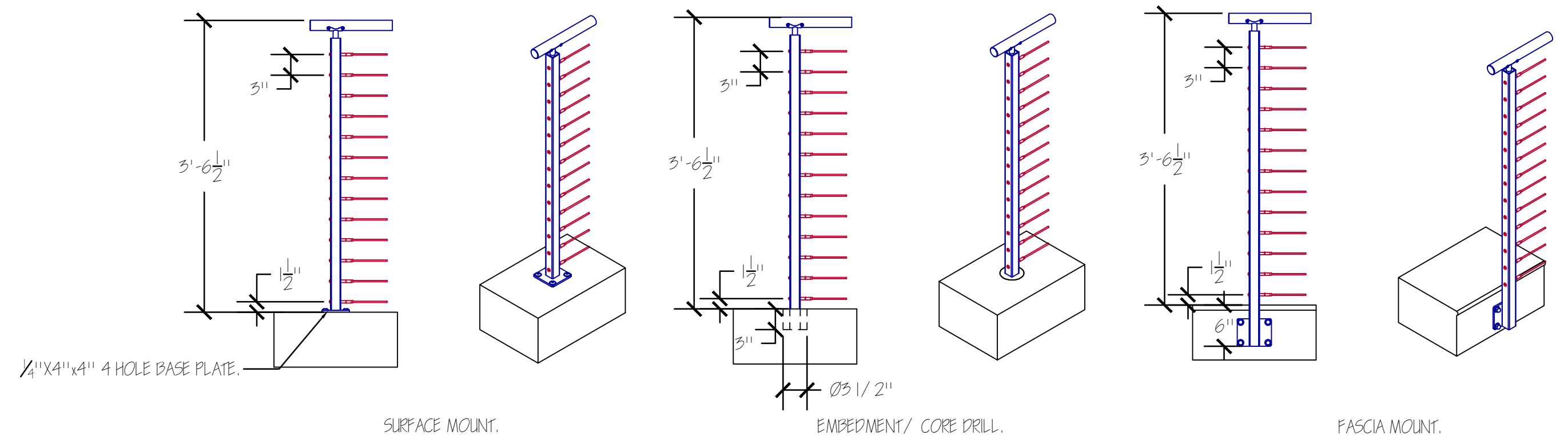


NOTE:
 1-304 STAINLESS STEEL FOR INTERIOR APPLICATIONS AND NON CORROSIVE ENVIRONMENTS IS RECOMMENDED.
 1-316 STAINLESS STEEL FOR EXTERIOR APPLICATIONS WITHIN 15 MILES OF THE COAST OR IN A CORROSIVE ENVIRONMENT IS RECOMMENDED.



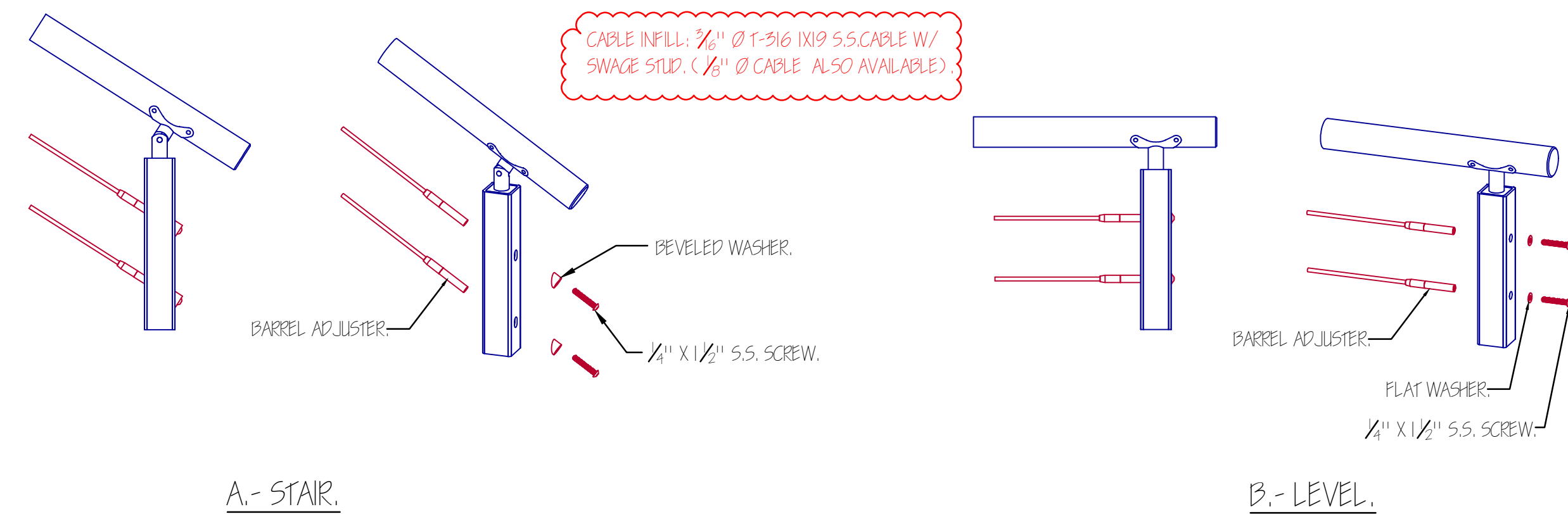
SPI-2000 42" HIGH STAINLESS STEEL CABLE GUARD RAILING.

SCALE: 1" = 1'



SPI-2000 TYPICAL MOUNTING OPTIONS.

SCALE: 3/4" = 1'

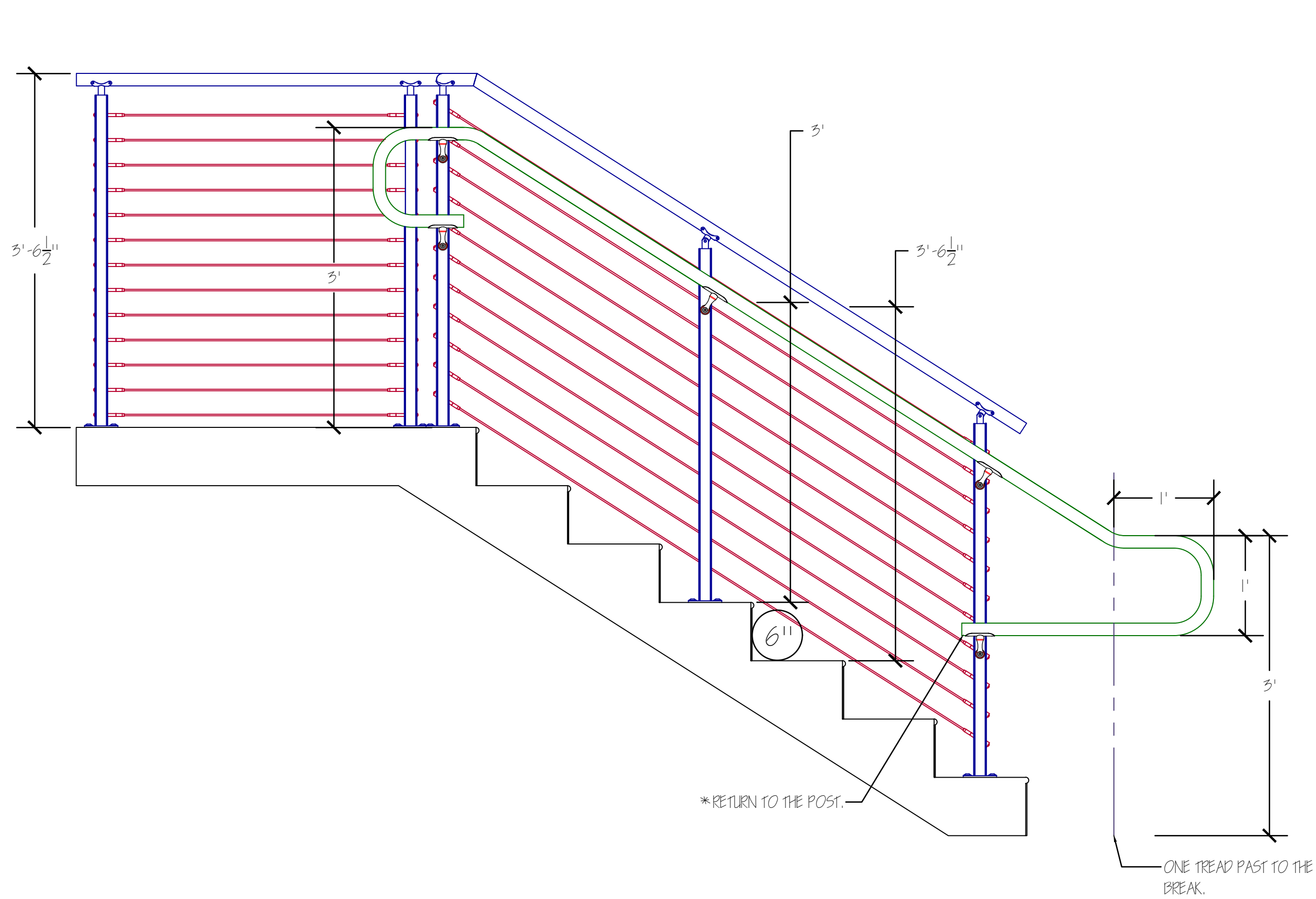


A - STAIR.

B - LEVEL.

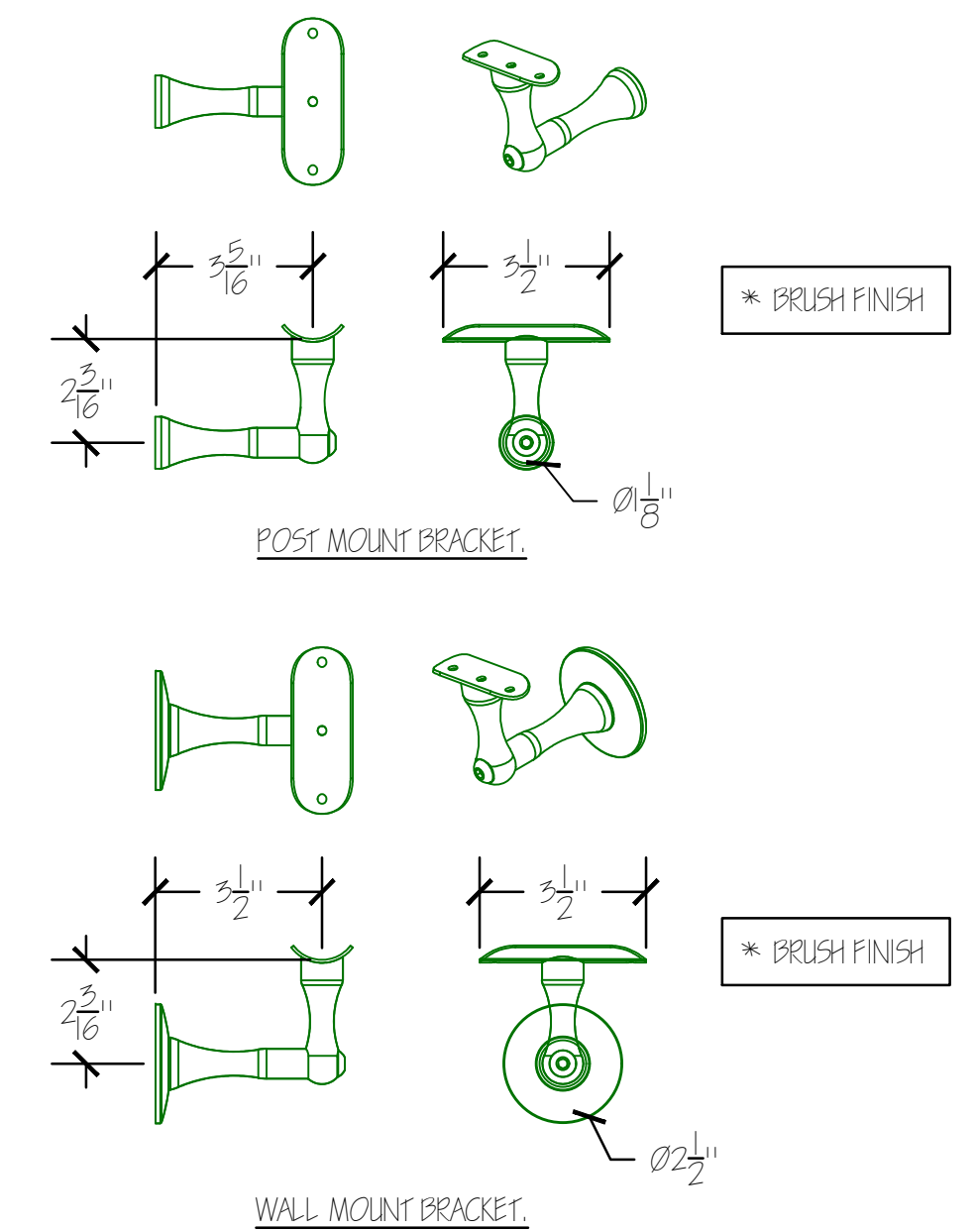
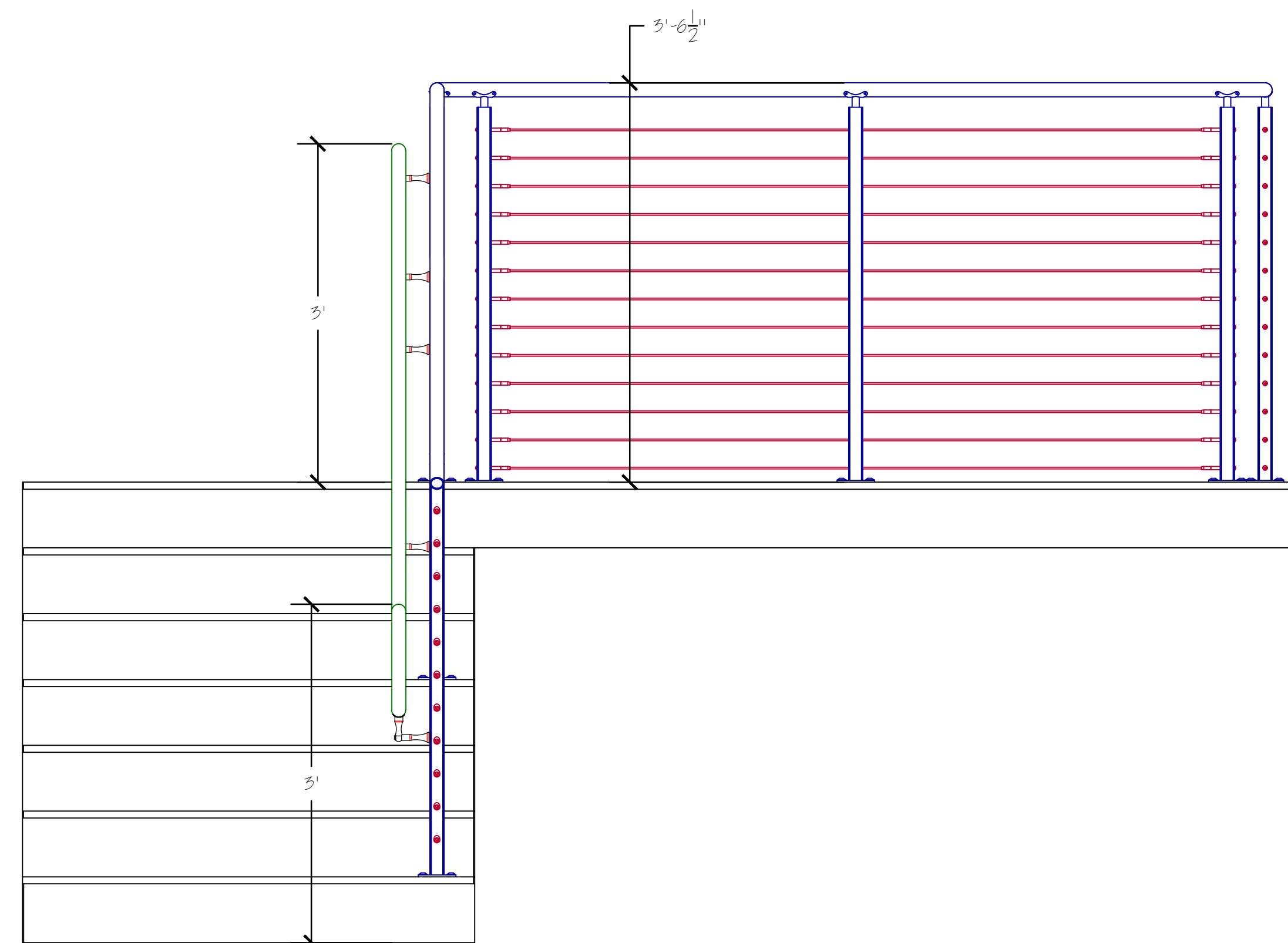
CABLE ATTACHMENT DETAIL.

SCALE: 2" = 1'



SPI-2000 42" GUARD RAILING.

SCALE: 1" = 1'



GRAB RAIL BRACKET DETAIL.

SCALE: 3" = 1'

PRODUCT:
 SPI-2000 STAINLESS STEEL CABLE RAILING SYSTEM.

CONTENT:
 STANDARD SYSTEM DETAILS.

DRAWN BY: WINN, T. / PRANZ, J.

DATE: 12-03-2018

PROPERTY AND CONFIDENTIALITY:
 THE INFORMATION CONTAINED IN THIS DRAWING IS THE SOLE PROPERTY OF SECO SOUTH INC. ANY REPRODUCTION IN PART OR AS A WHOLE WITHOUT THE WRITTEN PERMISSION OF SECO SOUTH INC. IS PROHIBITED.

2111 54TH WAY
 LARGO, FL 34771
 PH: 727-558-1924
 FAX: 727-559-6314
 SALES@SECOSOUTH.COM

